

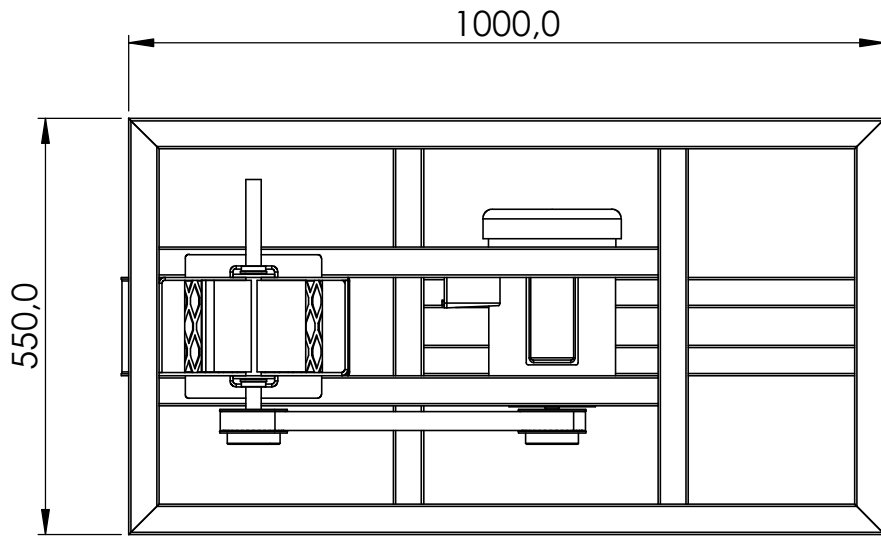
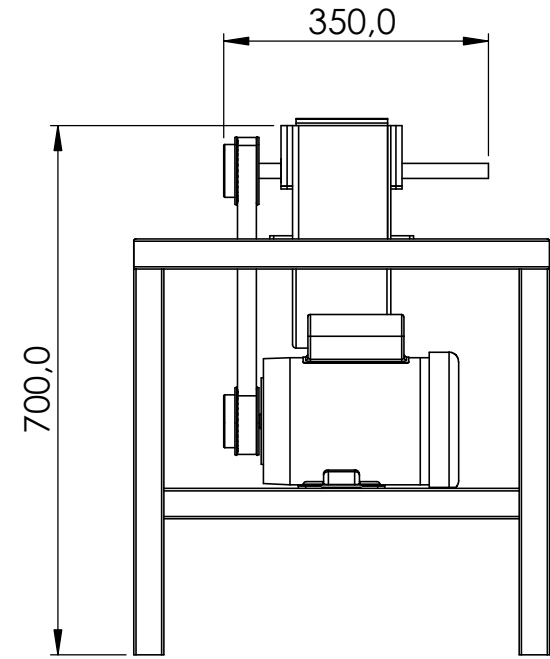
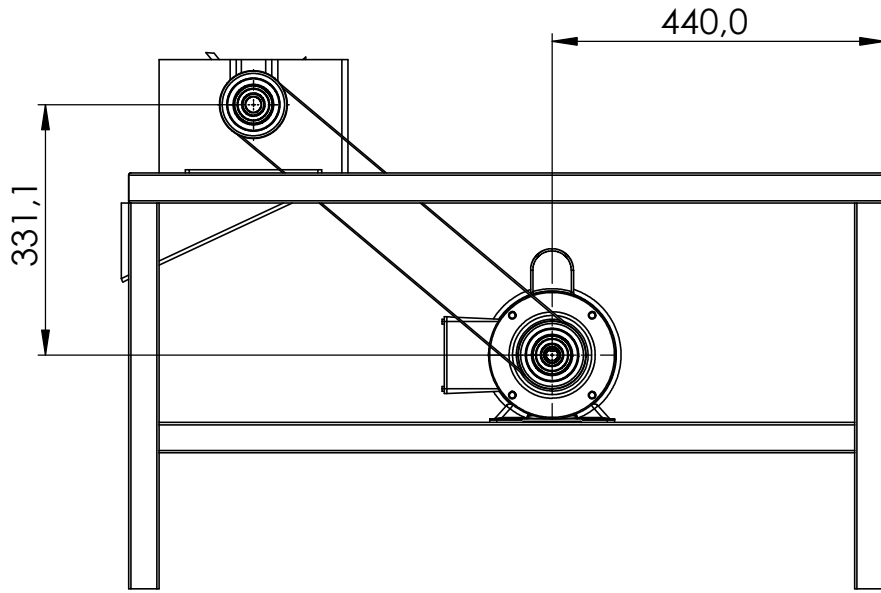
ITEM NO.	PART NUMBER	DESCRIPTION	QTY.
1	Base Frame		1
2	59845K41	Base/Face-Mount AC Motor	1
3	Shaft Housing		1
4	7769N21	Timing Belt Idler Pulley	2
5	Shaft		1
6	Belt		1

PROJECT : Plastic Shredder

DRAWING TITLE :
3D Plastic Shredder



DRAWING BY :	DATE : 04/05/2026	REV : 1.0
SCALE: 1:10	A4 SHEET : 1 OF 9	



PROJECT : Plastic Shredder

DRAWING TITLE :

2D Plastic Shredder



DRAWING BY :

DATE : 04/05/2026

REV :

SCALE: 1:10

A4

SHEET : 2 OF 9

1.0

10

9

8

7

6

5

4

3

2

1

C

F

F

E

E

D

D

C

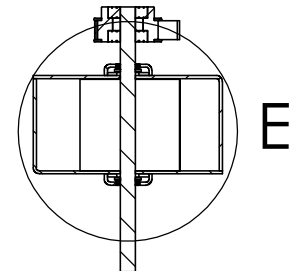
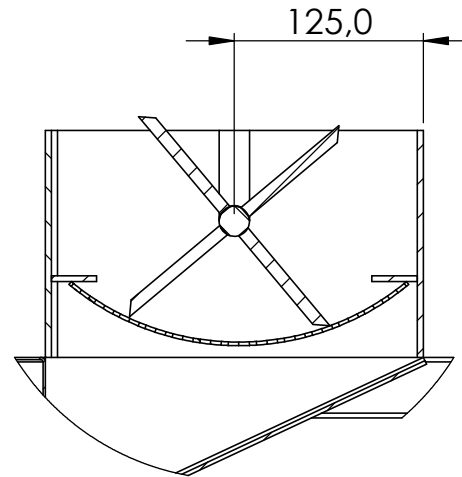
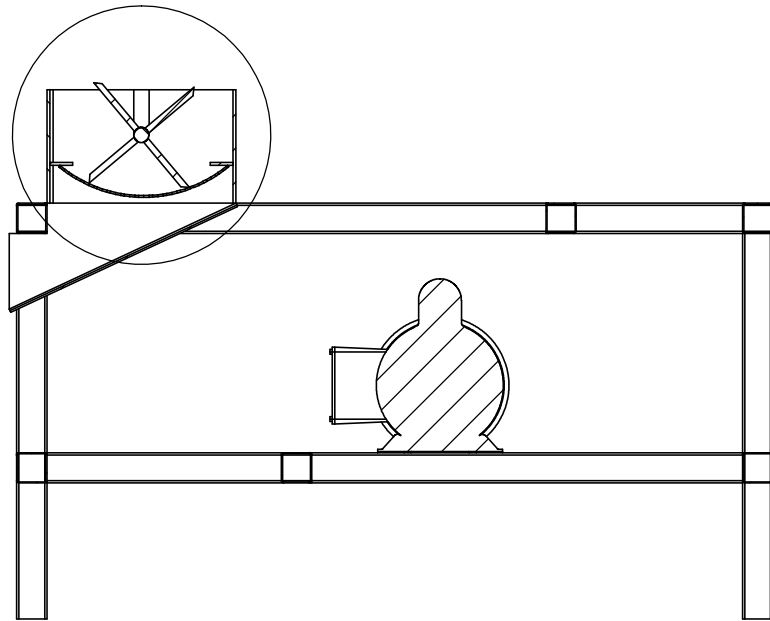
C

B

B

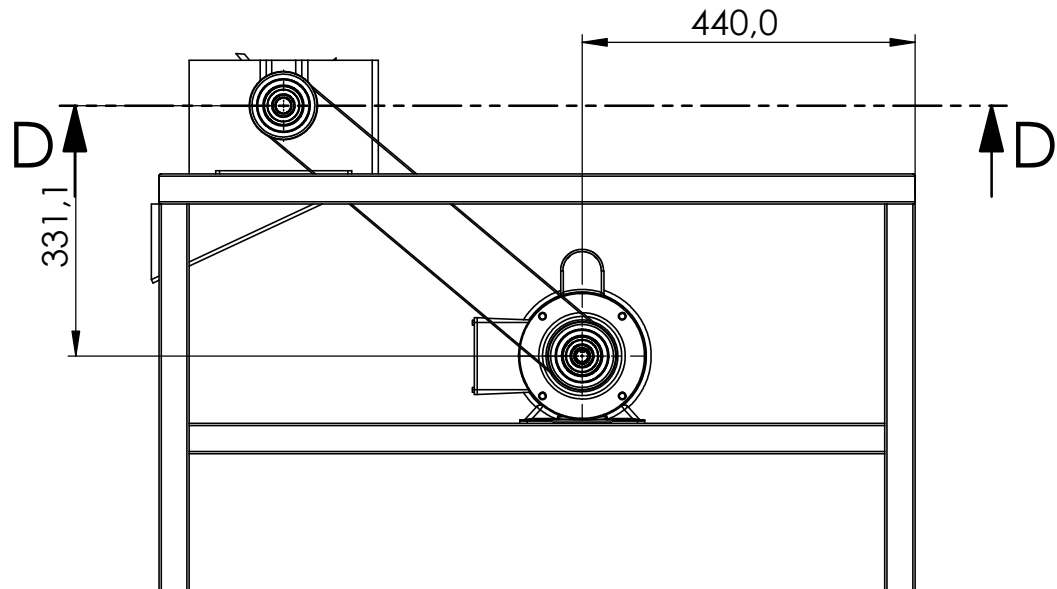
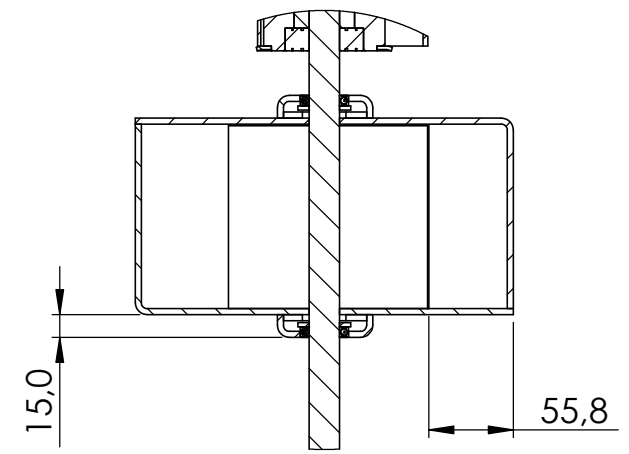
A

A



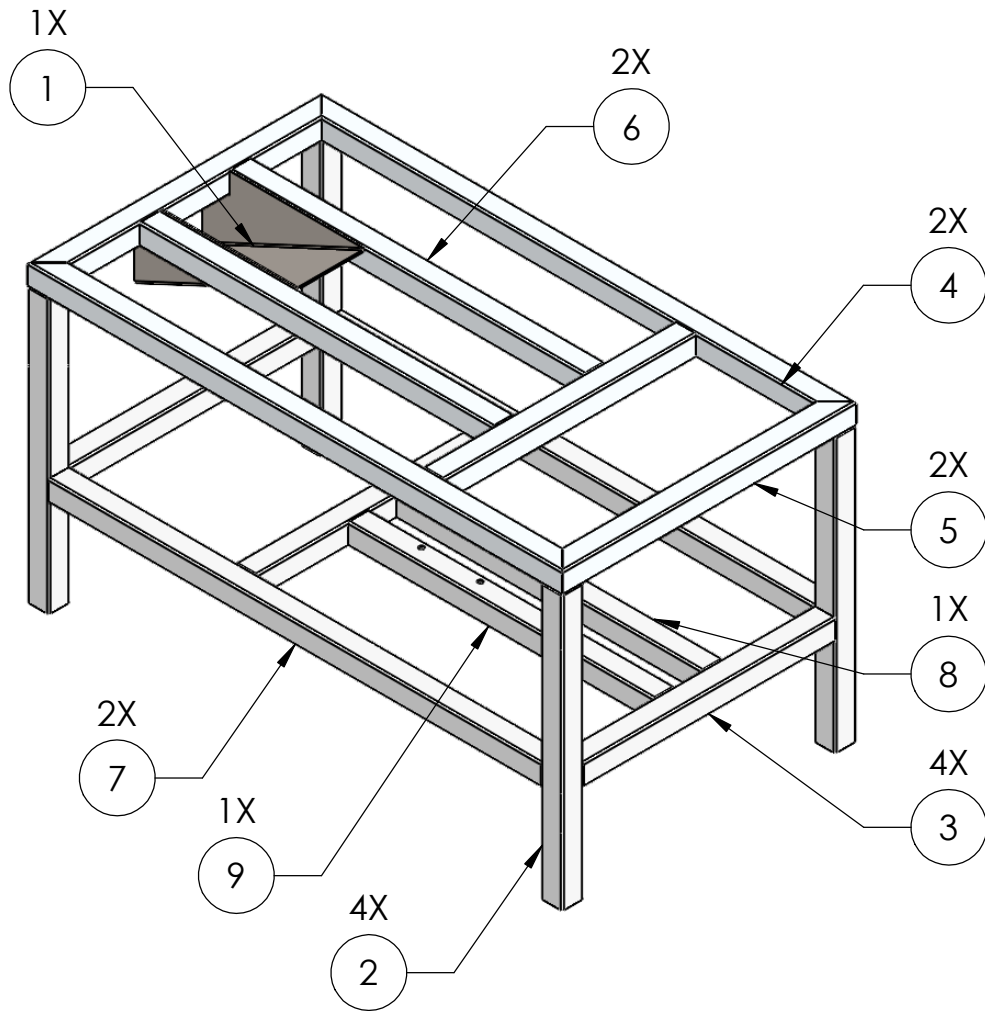
SECTION D-D

DETAIL C
SCALE 1 : 5



PROJECT : Plastic Shredder		
DRAWING TITLE :		
Section Plastic Shredder		
DRAWING BY :		DATE : 04/05/2026
SCALE: 1:10	A4	SHEET : 3 OF 9
		REV : 1.0





ITEM NO.	QTY.	DESCRIPTION	LENGTH
1	1	Chute	
2	4	40x40x1.5	510
3	4	40x40x1.5	470
4	2	40x40x1.5	1000
5	2	40x40x1.5	550
6	2	40x40x1.5	660
7	2	40x40x1.5	920
8	1	40x40x1.5	570
9	1	40x40x1.5	570

PROJECT : Plastic Shredder

DRAWING TITLE :

3D Base Frame



DRAWING BY :

DATE : 04/05/2026

REV :

1.0

SCALE: 1:10

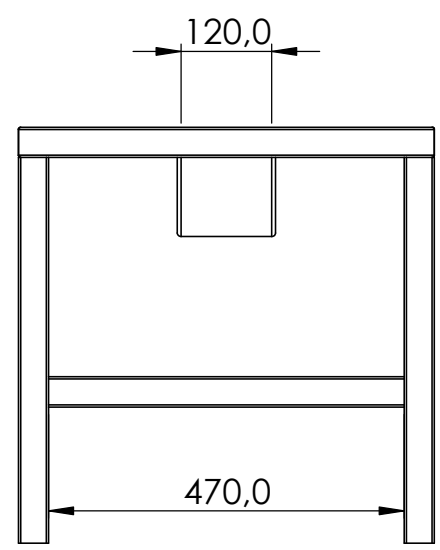
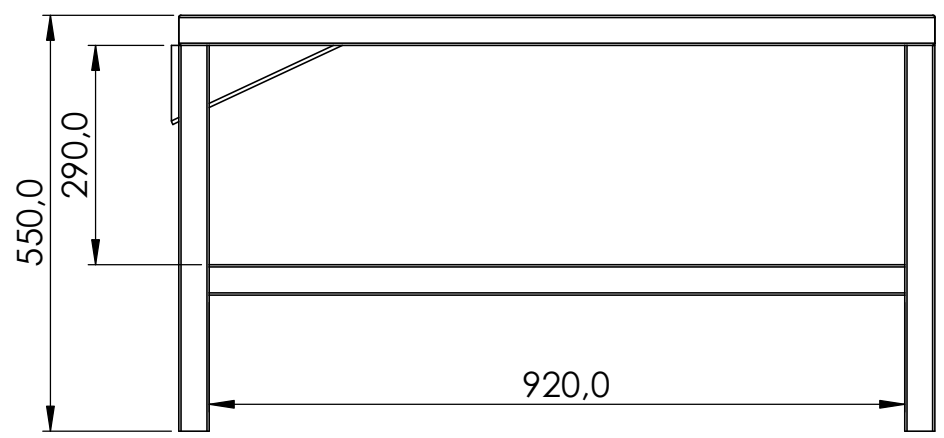
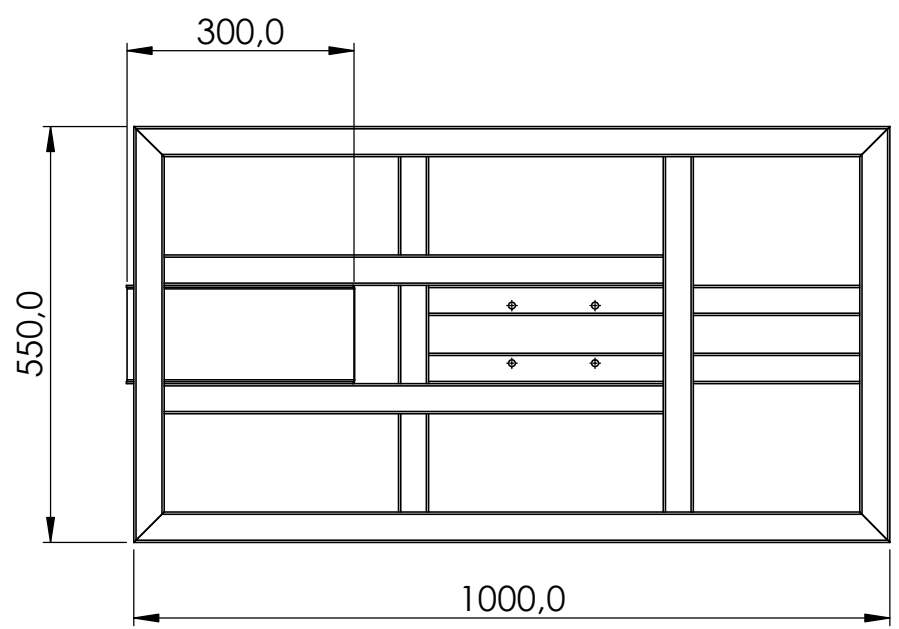
A4


SHEET : 4 OF 9

10 9 8 7 6 5 4 3 2 1

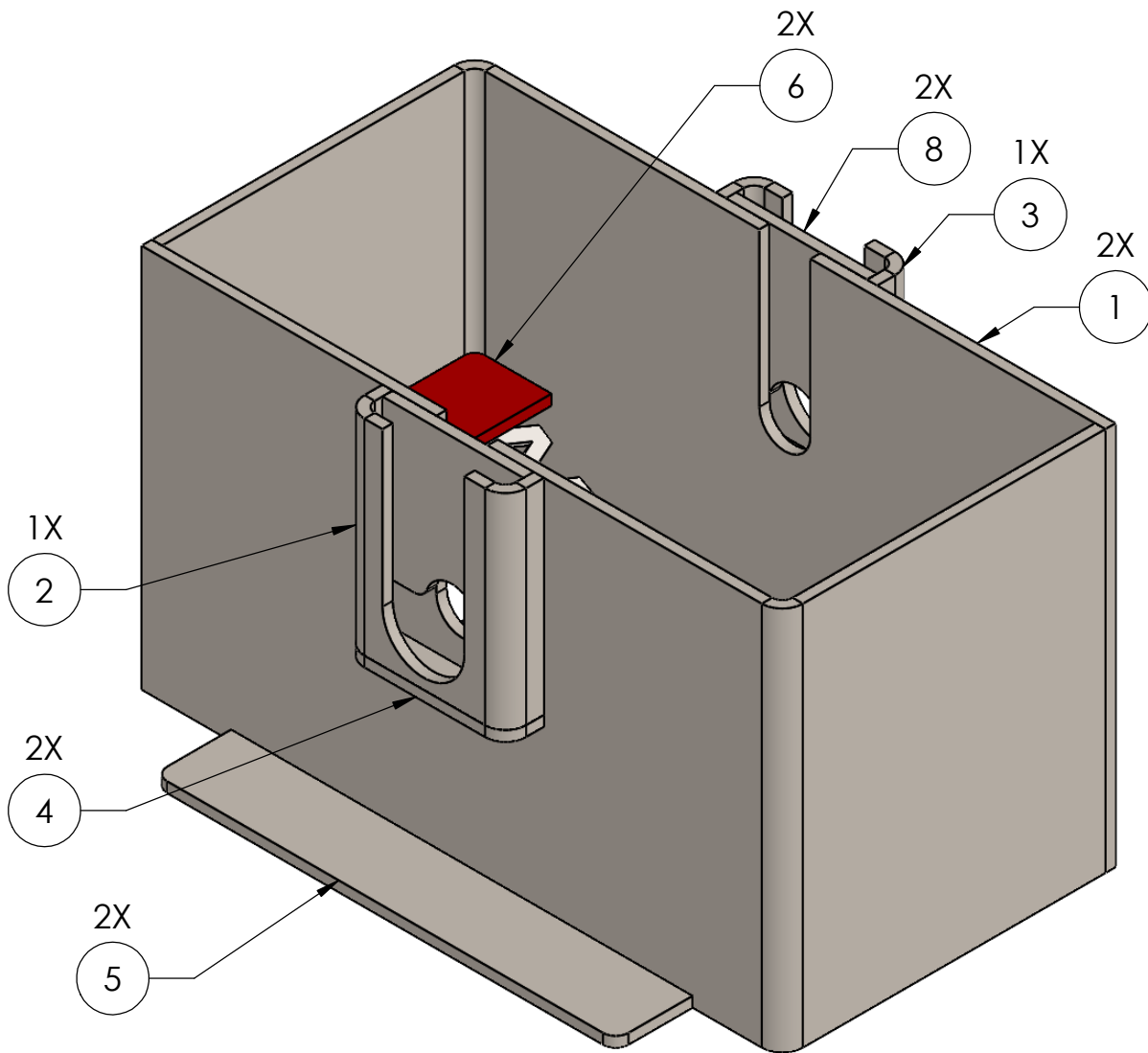
F
E
D
C
B
A

F
E
D
C
B
A




PROJECT : Plastic Shredder		
DRAWING TITLE :		
2D Base Frame		
DRAWING BY :	DATE : 04/05/2026	REV : 1.0
SCALE: 1:10	A4	SHEET : 5 OF 9

10 9 8 7 6 5 4 3 2 1

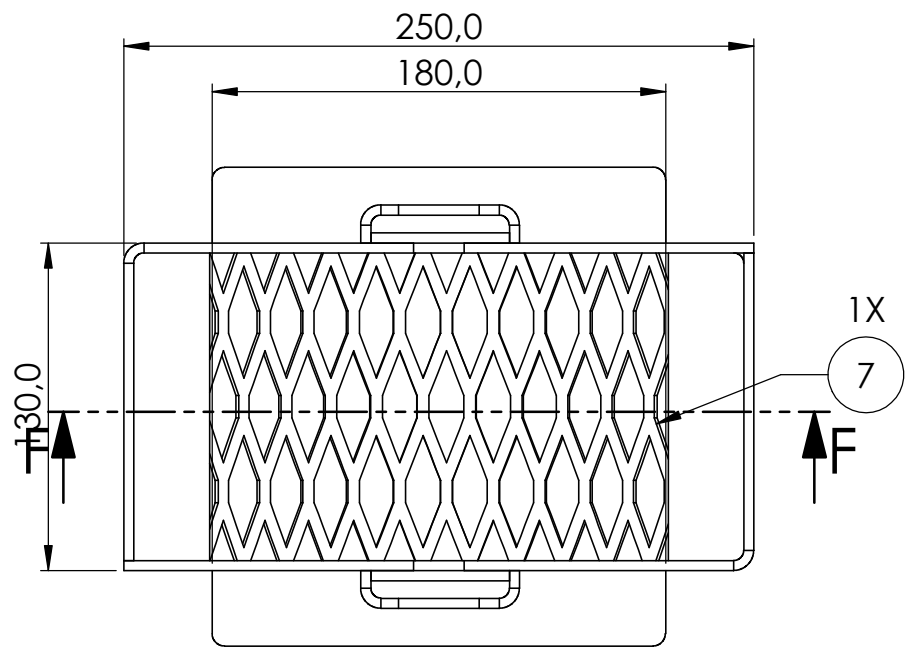


ITEM NO.	QTY.	DESCRIPTION
1	2	Main Housing Side Plate
2	1	Bearing Housing Bracket Left
3	1	Bearing Housing Bracket Right
4	2	Lower Support Flange
5	2	Base Mounting Plate
6	2	Internal Deflector Plate
7	1	Hopper Bottom Plate
8	2	Shaft Collar

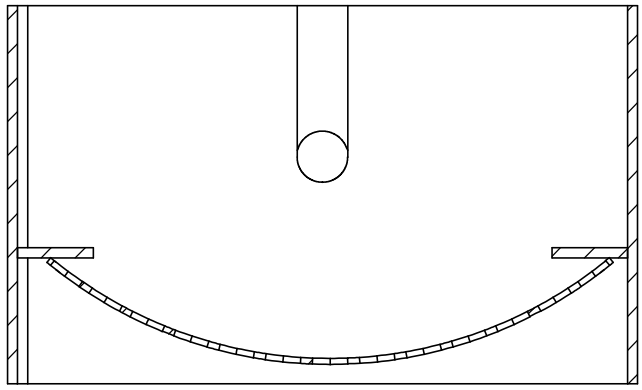
PROJECT : Plastic Shredder		
DRAWING TITLE :		
3D Shaft Housing		
DRAWING BY :		REV : 1.0
SCALE: 1:2	A4	SHEET : 6 OF 9

10 9 8 7 6 5 4 3 2 1

F

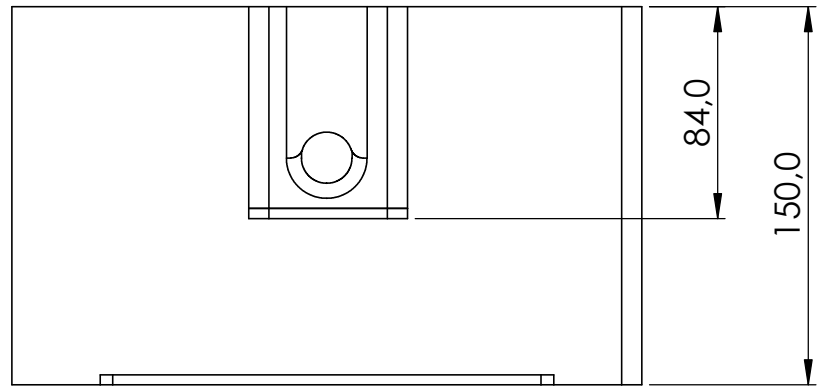


SECTION F-F
SCALE 1 : 3

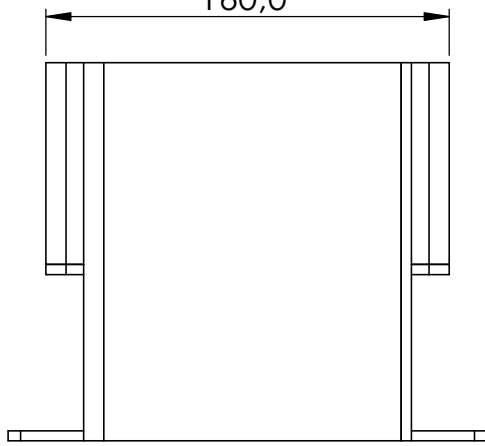


E

D




160,0



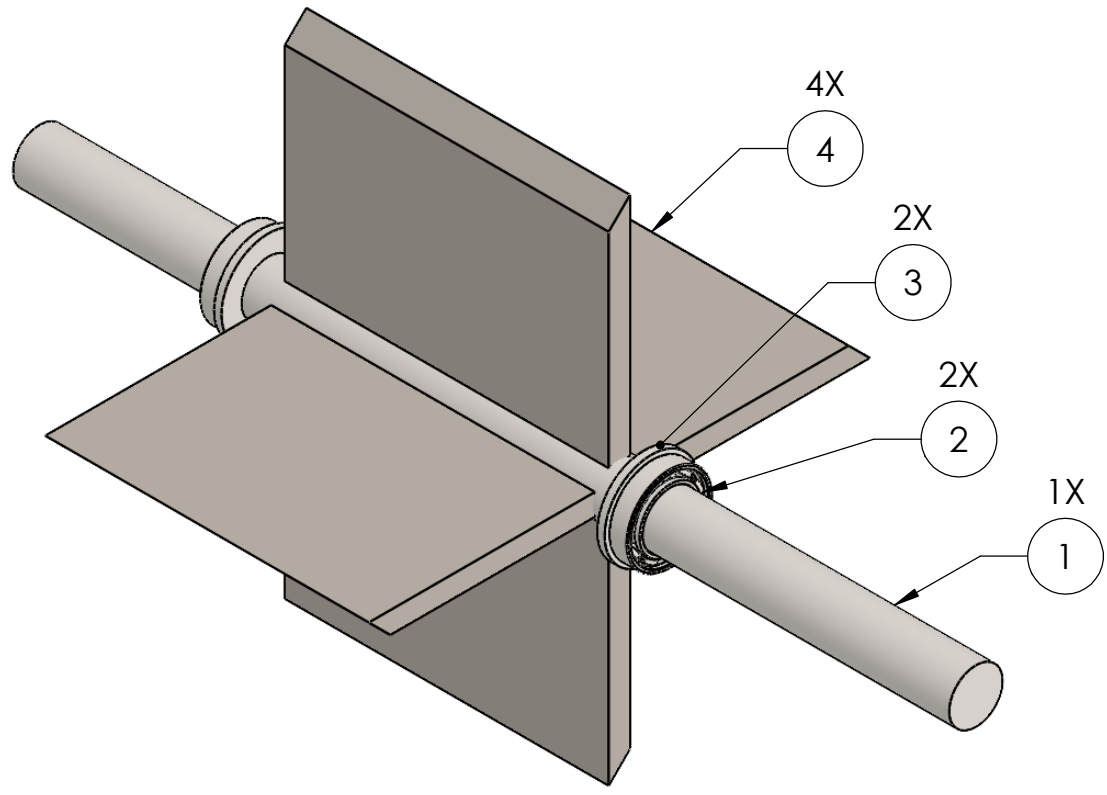
C

B

A

PROJECT : Plastic Shredder		
DRAWING TITLE :		
2D Shaft Housing		
DRAWING BY :	DATE : 04/05/2026	REV :
SCALE: 1:5	A4 SHEET : 7 OF 9	1.0

10 9 8 7 6 5 4 3 2 1



ITEM NO.	QTY.	DESCRIPTION
1	1	Shaft
2	2	Steel Ball Bearing
3	2	Washer
4	4	Crusher Plate

PROJECT : Plastic Shredder

DRAWING TITLE :
3D Shaft Crusher



DRAWING BY : _____ DATE : 04/05/2026 REV : 1.0

SCALE: 1:2 A4 SHEET : 8 OF 9

10 9 8 7 6 5 4 3 2 1

F

E

D

C

B

A

F

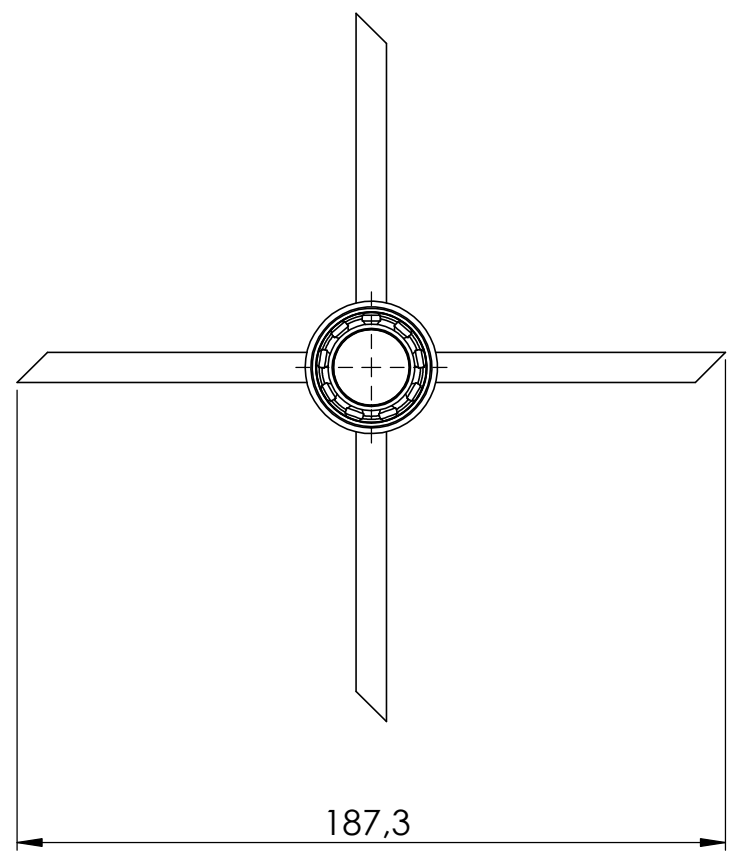
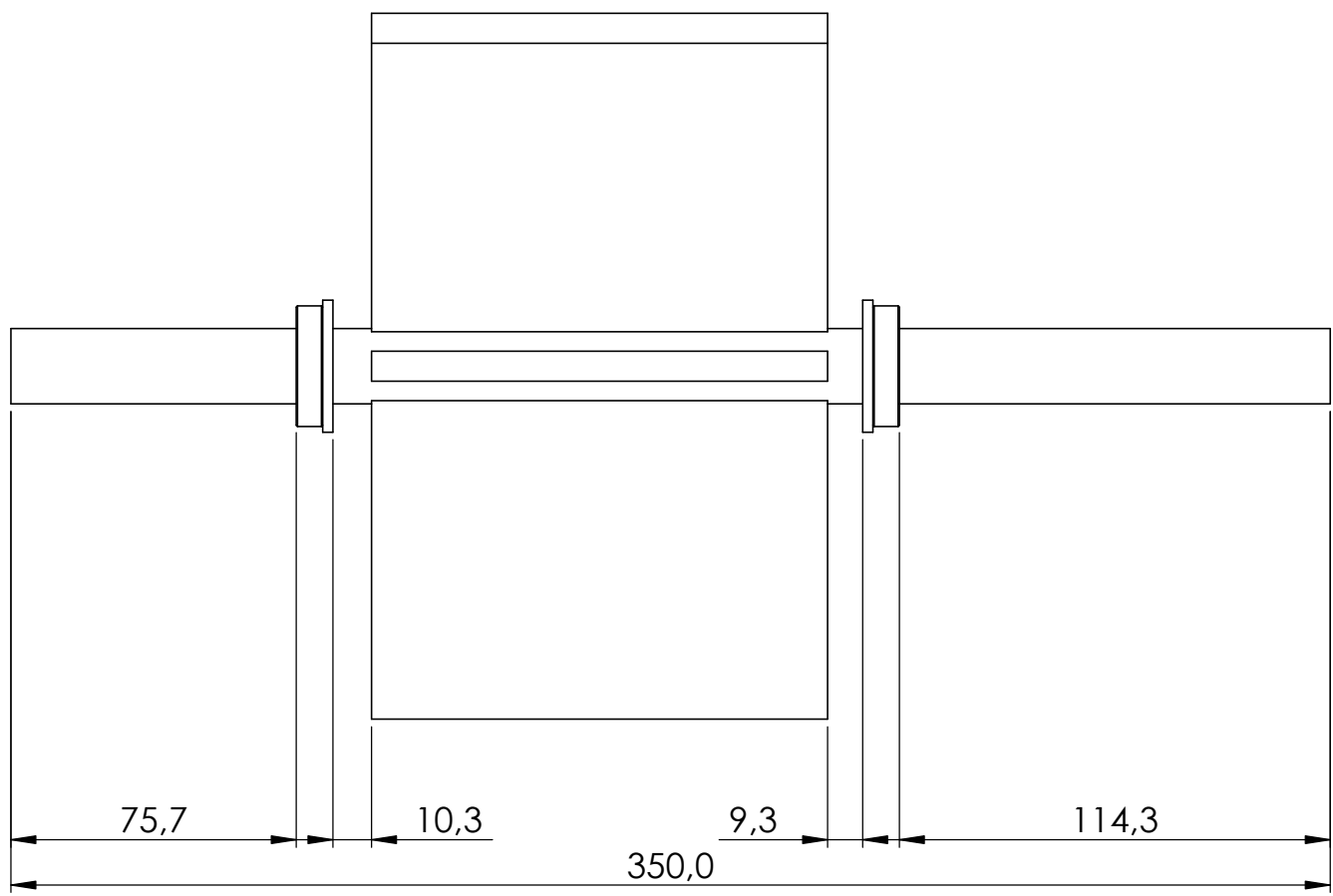
E


D

C

B

A



PROJECT : Plastic Shredder		
DRAWING TITLE :		
2D Shaft Crusher		
DRAWING BY :	DATE : 04/05/2026	REV : 1.0
SCALE: 1:2	A4 SHEET : 9 OF 9	

10 9 8 7 6 5 4 3 2 1